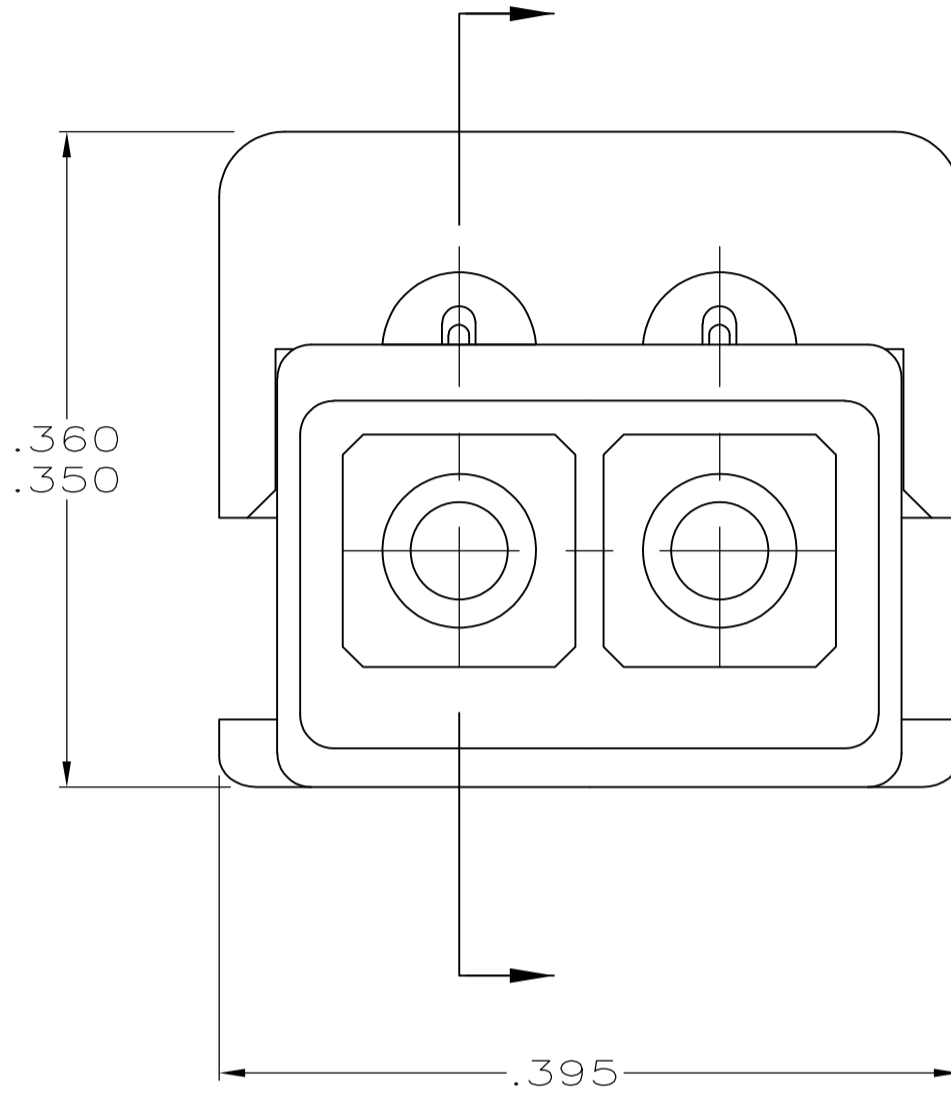
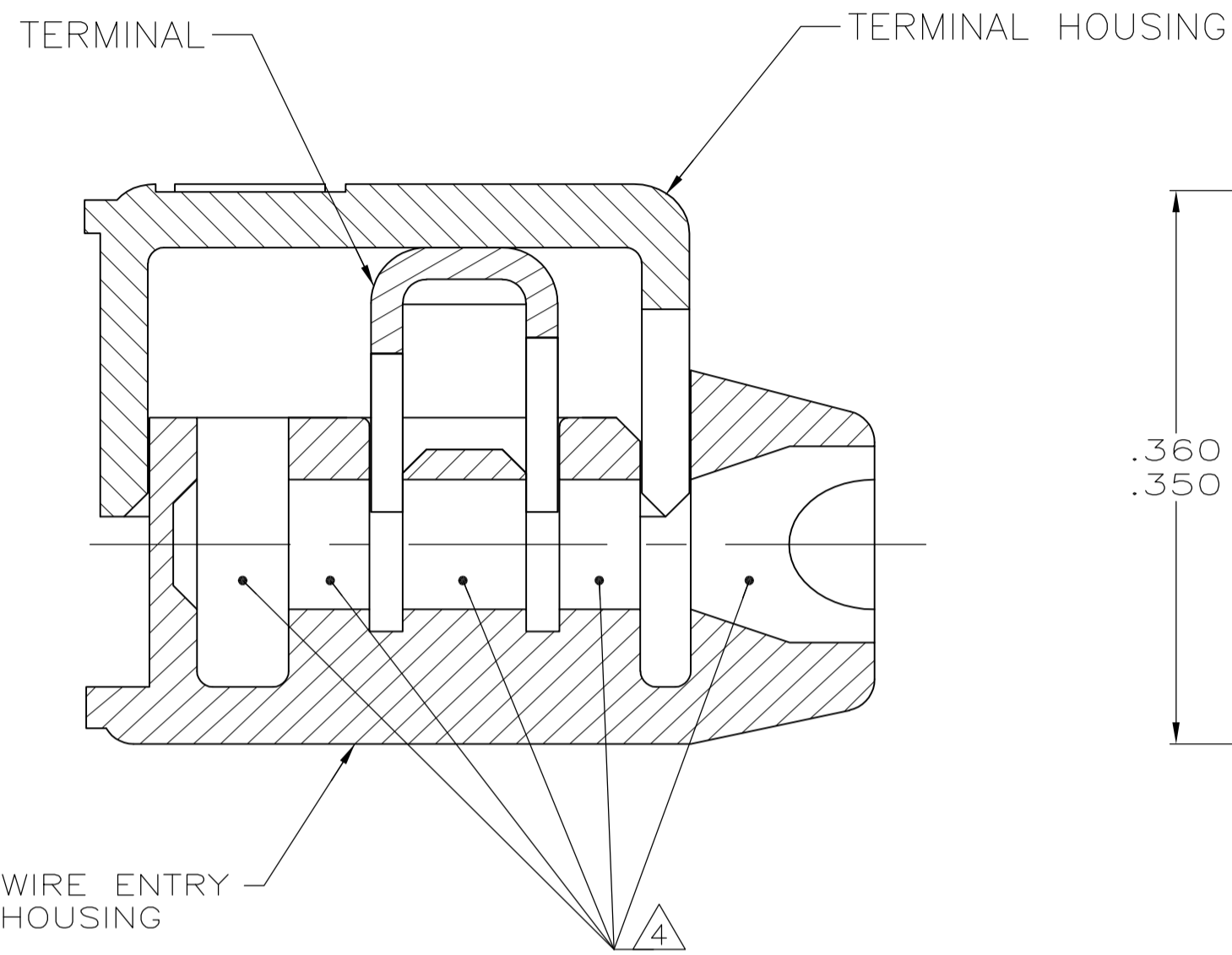


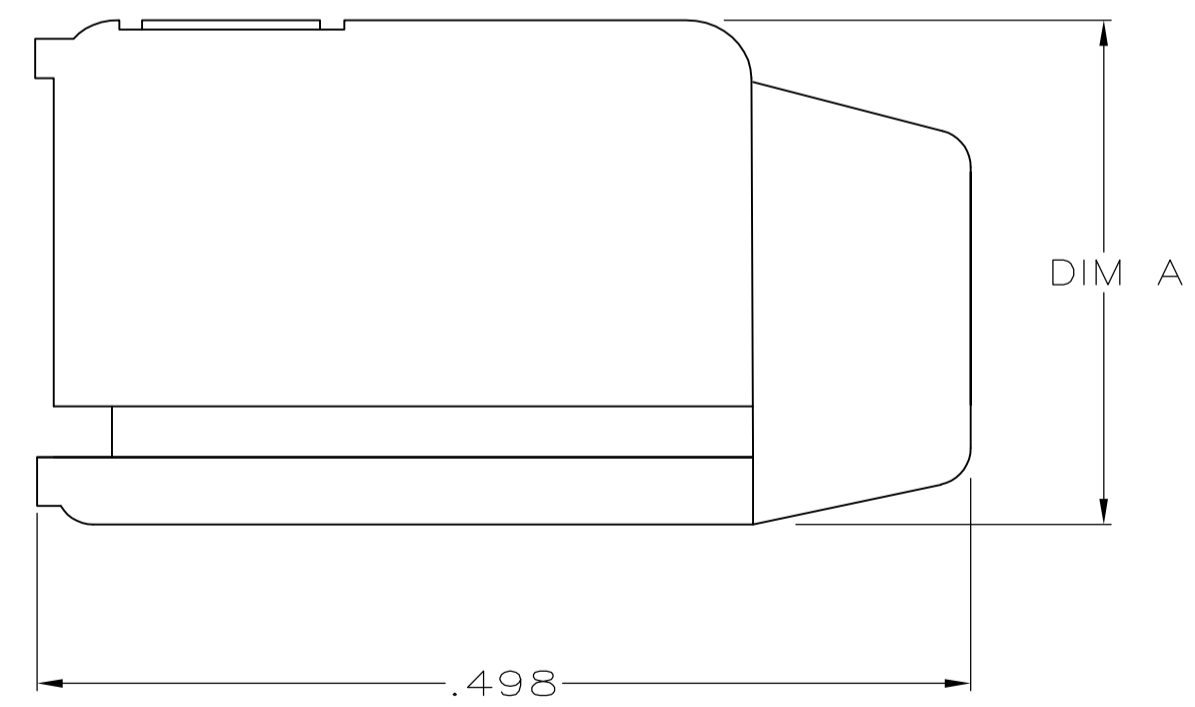
THIS DRAWING IS UNPUBLISHED. RELEASED FOR PUBLICATION
 © COPYRIGHT BY TYCO ELECTRONICS CORPORATION. ALL RIGHTS RESERVED.

LOC	DIST	REVISIONS					
		P	LTR	DESCRIPTION	DATE	OWN	APVD
HM	00		N	REV PER ECO-06-000425	11APR06	WS	NJ
			P	REV ECO-06-026329	19JAN07	LH	NJ
			R	REV ECO-08-011317	08MAY08	LH	NJ

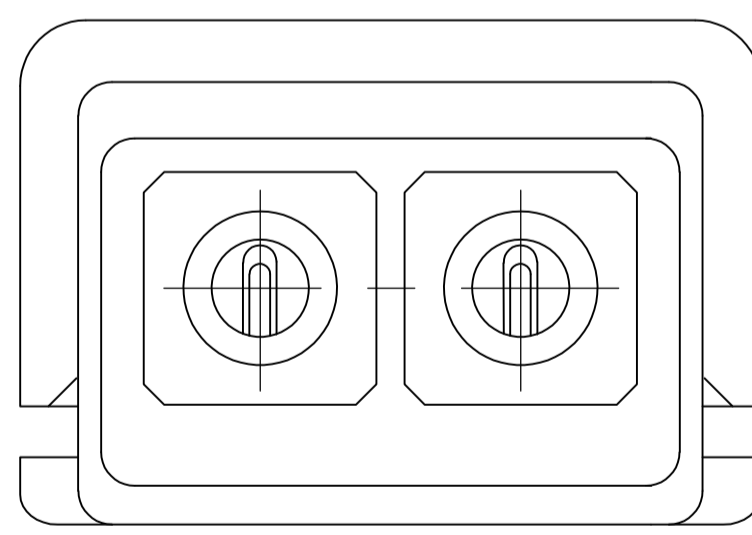


UNCRIMPED

1. ALL DIMENSIONS ARE FOR REFERENCE ONLY.
2. MATERIAL: HOUSING - THERMOPLASTIC (CLEAR)
TERMINAL - TIN PLATED BRASS
3. WIRE RANGE: 19-26 AWG SOLID COPPER CONDUCTORS.
4. SEALANT ADDED TO HOUSING IN THREE AREAS.
5. FOR CRIMPING INFORMATION SEE APPLICATION SPECIFICATION 114-6010.
6. MATERIAL: HOUSING - THERMOPLASTIC (YELLOW)
TERMINAL - PHOS BRZ
7. MATERIAL: HOUSING - THERMOPLASTIC (CLEAR)
TERMINAL - PHOS BRZ
8. MATERIAL: HOUSING - THERMOPLASTIC (YELLOW)
TERMINAL - TIN PLATED BRASS



CRIMPED



.262	24-26
.276	19-22
DIM "A" MAX	WIRE-AWG

	PARTS PER CONTAINER	DESCRIPTION	PART NUMBER
	1000	6 WITH SEALANT	1-552795-8
	5	2 WITH SEALANT	1-552795-7
	BULK	6 WITHOUT SEALANT	1-552795-5
OBSOLETE	100	6 WITHOUT SEALANT	1-552795-4
	100	7 WITH SEALANT	1-552795-2
	500	7 WITH SEALANT	552795-6
OBSOLETE	BULK	7 WITH SEALANT	552795-5
	1000	6 WITHOUT SEALANT	552795-4
	1000	8 WITHOUT SEALANT	552795-3
	1000	7 WITH SEALANT	552795-2
	1000	2 WITH SEALANT	552795-1

THIS DRAWING IS A CONTROLLED DOCUMENT.

DWN L. HALL 20FEB04	Tyco Electronics Corporation Harrisburg, Pa 17105-3608				
CHK A. KINKA 24FEB04					
APVD A. KINKA 24FEB04					
NAME					
DIMENSIONS: INCHES	PRODUCT SPEC	NAME	TEL-SPLICE ASSEMBLY, 2 WIRE (INTERNATIONAL)		
TOLERANCES UNLESS OTHERWISE SPECIFIED:	APPLICATION SPEC	SIZE	CAGE CODE	DRAWING NO	RESTRICTED TO
0 PLC ± -	WEIGHT	A2	00779	C-552795	-
1 PLC ± -	CUSTOMER DRAWING	SCALE	10:1	SHEET	1 OF 1
2 PLC ± -		REV	R		
3 PLC ± .005					
4 PLC ± -					
ANGLES ± -					
MATERIAL					
FINISH					